

**EXACT8, 8XM8, 4 POLE MOULDED CABLE**

15.0m PUR 16x0,34+2x0,75, UL/CSA

8-way, 4-pole

Further cable lengths on request.

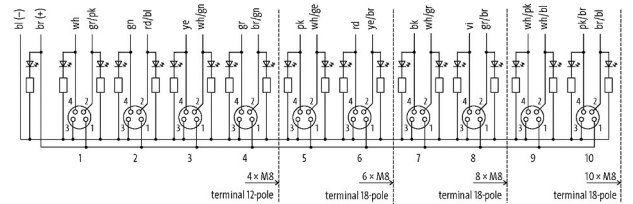
Plastic housings with good resistance against chemicals and oils.

The resistance to aggressive media should be individually tested for your application. Further details on request.

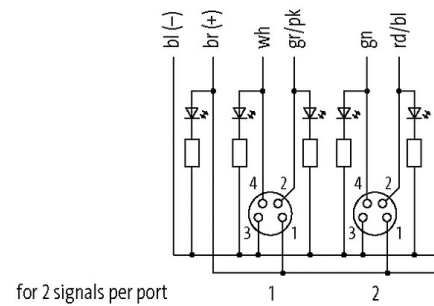
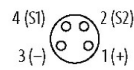
15.0 m

[Link to Product](#)

**Illustration**

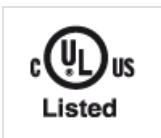


M8-Females 4-pole



Product may differ from Image

**Approvals**



**Contact Layout**

PIN 1 (+)

PIN 2 (NC)/(S2)

PIN 3	(-)
PIN 4	(NO)/(S1)
LED display	LED (green): Power / LED (yellow): (S1) / LED (white): Signal (S2)

#### General data

Temperature range	-20...+80 °C, depending on cable quality
-------------------	--

#### Cables

Cable number	396
No./diameter of wires	16× 0.34 + 2× 0.75 mm <sup>2</sup>
C-track properties	5 Mio.
Jacket Color	gray
Material (jacket)	PUR (UL/CSA)
Outer Ø	10.4 mm ±5%
Bend radius (fixed)	5× outer Ø
Bend radius (moving)	10× outer Ø
Temperature range (fixed)	-40...+80 °C
Temperature range (mobile)	-5...+60 °C

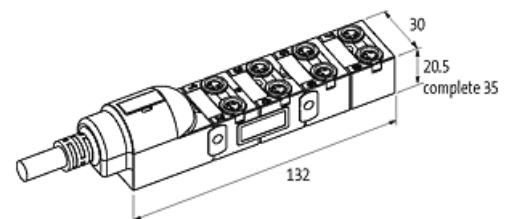
#### Technical Data

Operating voltage	24 V DC
Operating current per contact	max. 2 A
Total current	max. 8 A
Signal per port	2
Protection	IP65/IP67
Housing	Plastic, flame retardant
Locking of ports	Screw thread (M8×1 mm)

#### Commercial data

country of origin	DE
customs tariff number	85444290
EAN	4048879054416
eClass	27143423
Packaging unit	1

#### Sketch



Product may differ from Image